

# SHOREDITCH HIGH STREET

and New Cross/  
d between  
tal Palace  
and 17 October 2010  
ground service between  
Cross Gate and between  
anned engineering work  
e accepted on the following  
s between Aulgate East and  
and London Bridge  
on Bridge and New Cross  
dges and Crystal Palace  
03 where these buses run  
p for further details  
2012 at 01 53  
upport for London

Oyster rail services in London



A detailed map of London's rail network with specific lines highlighted in blue and red to indicate oyster rail services. The map includes station names and connecting lines.

London Overground

Trains from Shoreditch High Street

Northbound services

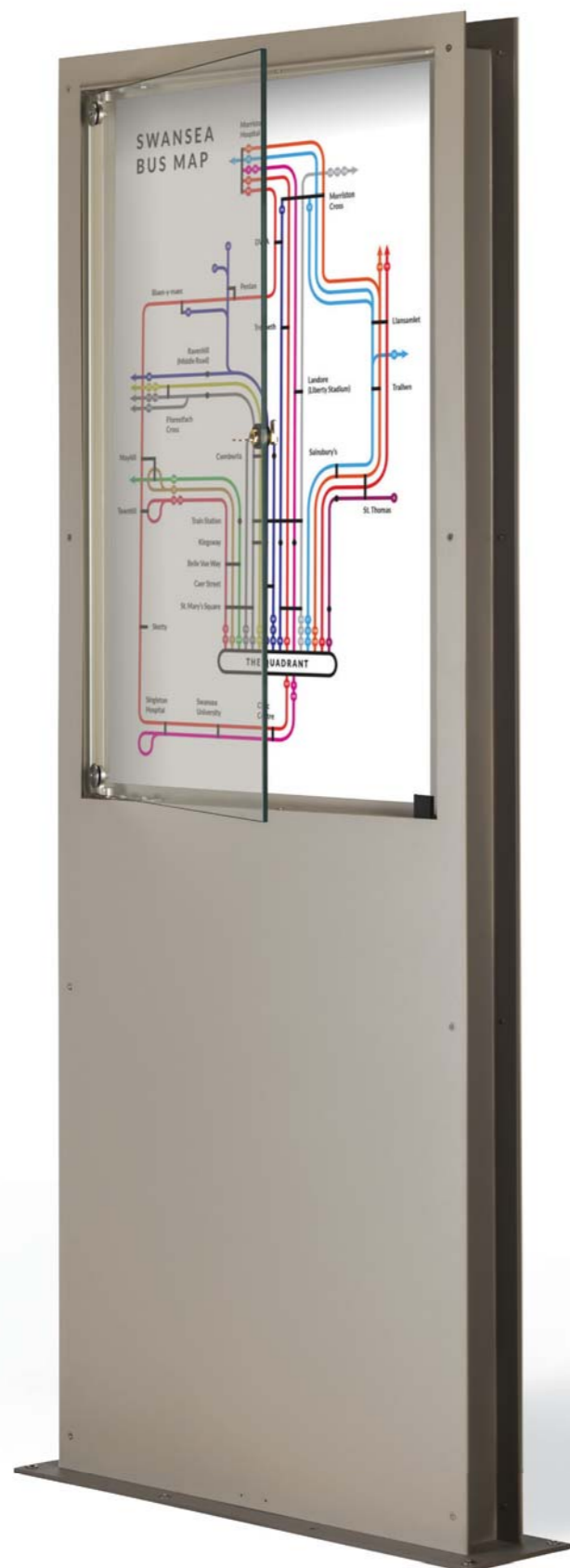


A board displaying train schedules for London Overground services starting from Shoreditch High Street. It lists destinations and departure times.



A large, vertical, freestanding display board with a grey textured base and a silver frame. It features a detailed map of London with various lines and stations highlighted in different colors.





Totem bifacciale realizzato in acciaio zincato e verniciato. La superficie espositiva può essere chiusa in modo non ermetico da due ante in vetro e dotate di serratura o può essere protetta da due fogli in policarbonato compatto fissati con appositi dischi. Tamponamento anteriore / posteriore in lamiera di acciaio corten oppure acciaio verniciato oppure acciaio inox. Disponibile con logo a laser personalizzato.

Double-sided display made of galvanized and powder coated steel. The display surface can be closed in a non-hermetic way by two glass doors and fitted with a lock or may be protected by two sheets of compact polycarbonate, fixed with special plates. Front / rear plates in corten steel or powder coated steel or stainless steel. Available with laser cut customized logo.



Le totem biface recto-verso en acier galvanisé et thermolaqué. La surface d'affichage peut être fermée de manière non-hermétique par deux portes vitrées et munie d'une serrure ou protégée par deux feuilles de polycarbonate compact, fixées avec des plaques spéciales. Tampons avant / arrière en acier corten ou acier thermolaqué ou en acier inoxydable. Disponible avec découpe du logo personnalisé au laser.

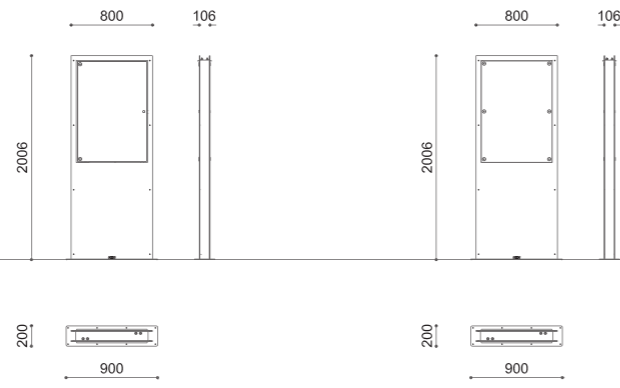
Expositor de doble cara hecho de acero galvanizado y pintado con polvos. La superficie de la exposición se puede cerrar de forma no hermética mediante dos puertas de vidrio y provistas de cerradura o protegida por dos hojas de policarbonato compacto, fijadas con placas especiales. Placas frontales / traseras en acero corten o acero barnizado o acero inoxidable. Disponible con logotipo personalizado realizado al láser.

- F FLANGIATO / BASE PLATED / SUR PLATINE / CON BASE DE ANCLAJE
- A LOGO PERSONALIZZATO / CUSTOMIZED LOGO / LOGO PERSONNALISÉ / LOGOTIPO PERSONALIZADO
- D DISEGNI / DRAWINGS / PLANS / DIBUJOS: p. 360

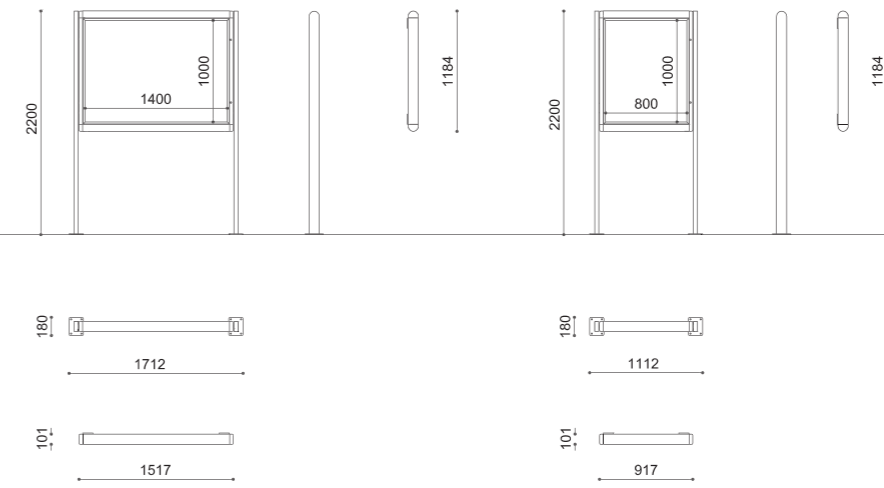
AFFIX

BARRIER

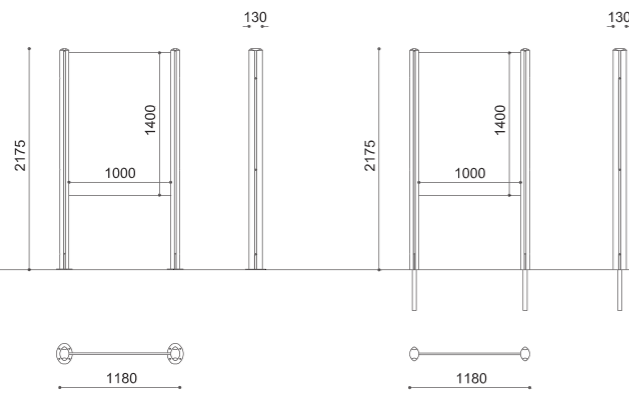
AFFIX



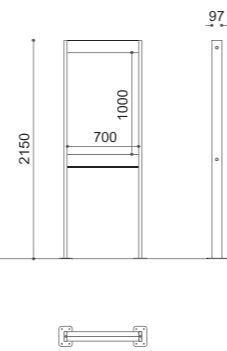
SIRYA



NEVIS



ARCADE



BATUR



RONDEL

